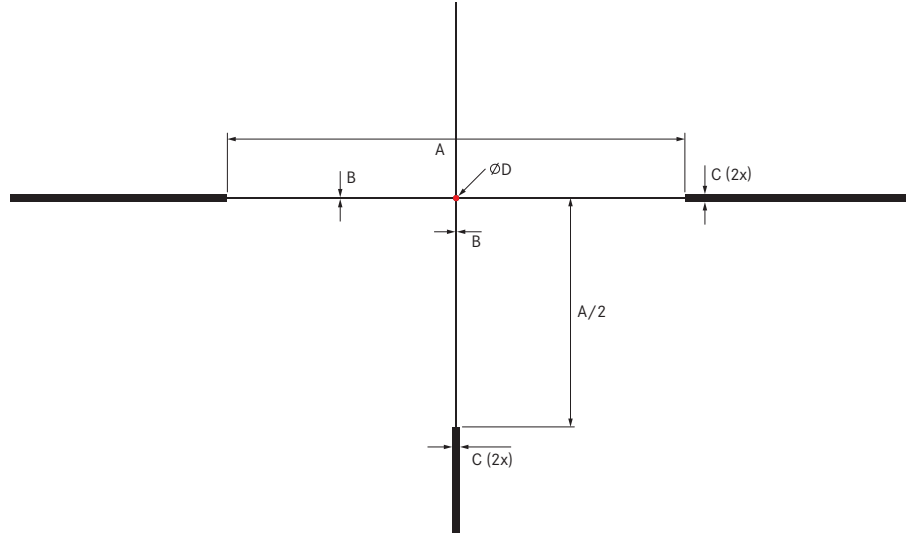
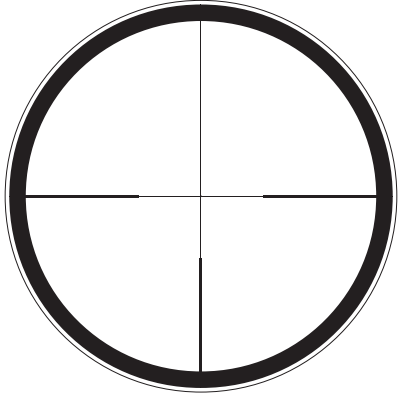




LEICA **AMPLUS 6** | RETICLE L-4a (Mil)

Reticles and subtensions.



Reticle L-4a (Mil)	Amplus 6	cm / 100 m	Mil	cm / 100 m	MoA	inch / 100 yds
Magnification	1 – 6 x	10 x	maximum	maximum	maximum	10 x
Bar opening	A	140.0	24.0	240.0	82.76	50.40
Bar opening	A/2	70.0	12.0	120.0	41.38	25.20
Line thickness	B	0.8	0.14	1.4	0.48	0.29
Bar thickness	C	4.0	0.7	7.0	2.41	1.44
Illuminated Dot (Diameter)	D	0.6	0.1	1.0	0.34	0.22

Absehen L-4a (Mil)	Amplus 6	cm / 100 m	Mil	cm / 100 m	MoA	inch / 100 yds
Magnification	2.5 – 15 x	10 x	maximum	maximum	maximum	10 x
Bar opening	A	142.5	9.5	95.0	32.76	51.30
Bar opening	A/2	70.5	4.7	47.0	16.21	25.38
Line thickness	B	0.9	0.06	0.6	0.21	0.32
Bar thickness	C	4.0	0.27	2.7	0.93	1.44
Illuminated Dot (Diameter)	D	0.6	0.04	0.4	0.14	0.22

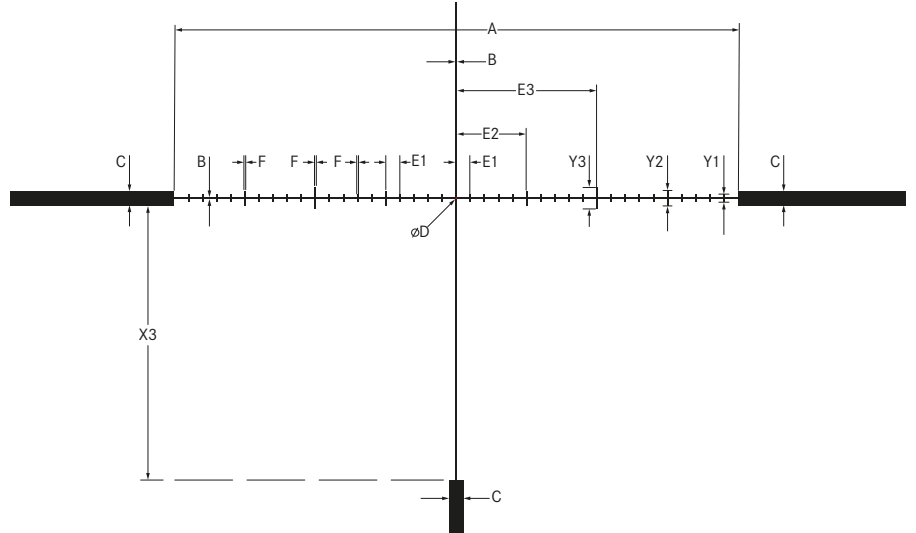
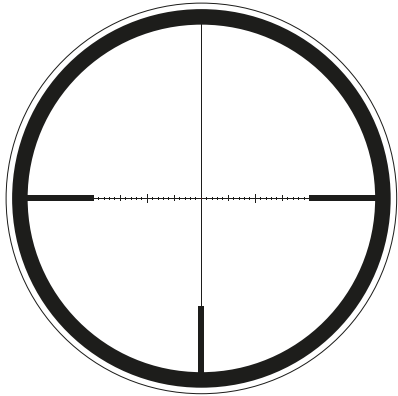
Absehen L-4a (Mil)	Amplus 6	cm / 100 m	Mil	cm / 100 m	MoA	inch / 100 yds
Magnification	3 – 18 x	9 x	maximum	maximum	maximum	9 x
Bar opening	A	140.0	7.0	70.0	24.0	50.40
Bar opening	A/2	70.0	3.5	35.0	12.0	25.20
Line thickness	B	0.5	0.025	0.25	0.09	0.18
Bar thickness	C	2.5	0.125	1.25	0.43	0.9
Illuminated Dot (Diameter)	D	0.5	0.025	0.25	0.09	0.18

Continued on page 2



LEICA **AMPLUS 6** | RETICLE L-4w (MoA)

Reticles and subtensions.



Reticle L-4w (MoA)	Amplus 6	cm / 100 m	Mil	cm / 100 m	MoA	inch / 100 yds
Magnification	2.5 - 15x	10x	maximum	maximum	maximum	10x
Bar opening	A	174.0	11.60	116.0	40.0	156.6
Line thickness	B	0.53	0.04	0.35	0.12	0.48
Bar thickness	C	4.35	0.29	2.9	1.0	3.92
Illuminated Dot (Diameter)	D	0.53	0.04	0.35	0.12	0.48
Line opening	E1	4.35	0.29	2.9	1.0	3.92
Line opening	E2	21.75	1.45	14.5	5.0	19.58
Line opening	E3	43.5	2.90	29.0	10.0	39.15
Line thickness	F	0.53	0.04	0.35	0.12	0.48
Line height	Y1	2.17	0.15	1.45	0.5	1.95
Line height	Y2	4.35	0.29	2.9	1.0	3.92
Line height	Y3	6.53	0.44	4.35	1.5	5.88
Line opening	X3	87.0	5.8	58.0	20.0	78.3

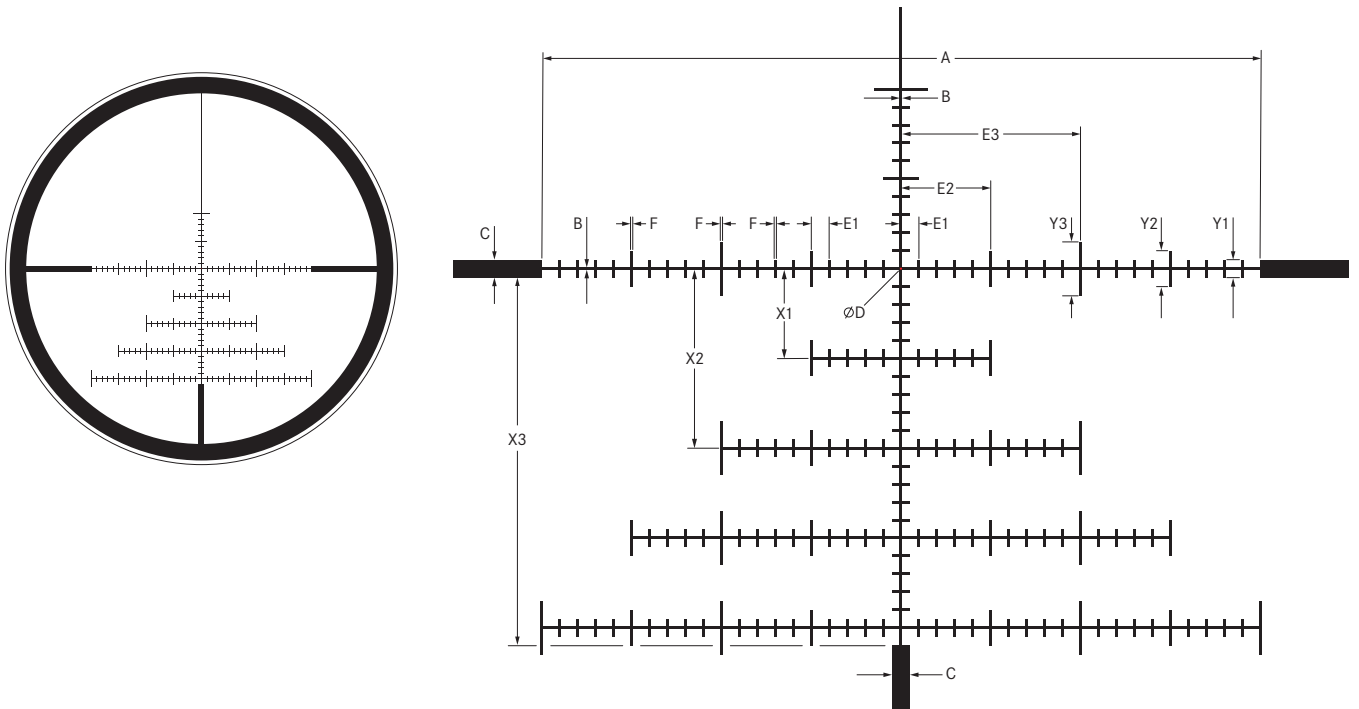
Reticle L-4w (MoA)	Amplus 6	cm / 100 m	Mil	cm / 100 m	MoA	inch / 100 yds
Magnification	3 - 18x	9x	maximum	maximum	maximum	9x
Bar opening	A	232.0	11.60	116.0	40.0	83.5
Line thickness	B	0.8	0.04	0.4	0.125	0.22
Bar thickness	C	5.8	0.29	2.9	1.0	1.57
Illuminated Dot (Diameter)	D	0.8	0.04	0.4	0.125	0.22
Line opening	E1	5.8	0.29	2.9	1.0	1.57
Line opening	E2	29.0	1.45	14.5	5.0	7.83
Line opening	E3	58.0	2.90	29.0	10.0	15.66
Line thickness	F	0.8	0.04	0.4	0.125	0.22
Line height	Y1	2.9	0.15	1.45	0.5	0.11
Line height	Y2	5.9	0.29	2.9	1.0	0.21
Line height	Y3	8.7	0.44	4.35	1.5	0.32
Line opening	X3	116.0	5.8	58.0	20.0	4.18

Continued on page 3



LEICA **AMPLUS 6** | RETICLE L-BALLISTIC (MoA)

Reticles and subtensions.



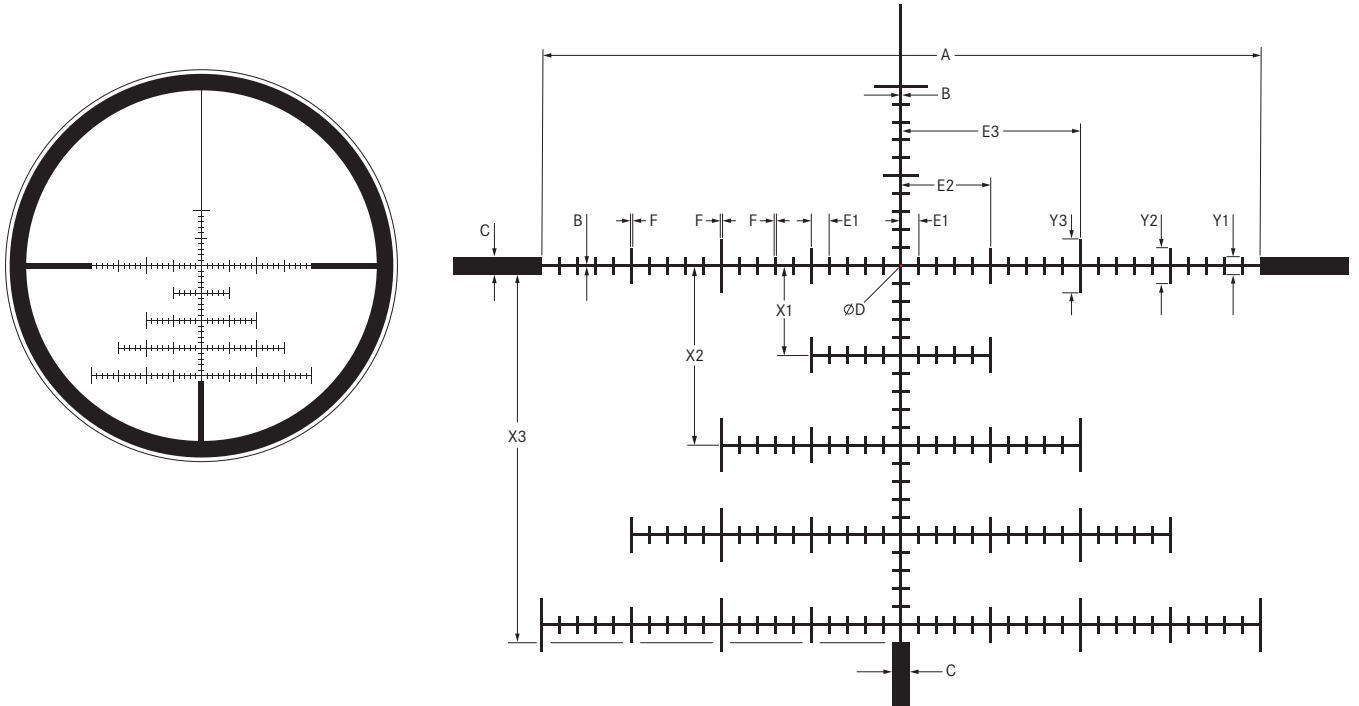
Reticle L-Ballistic (MoA)	Amplus 6	cm / 100 m	Mil	cm / 100 m	MoA	inch / 100 yds
Magnification	2.5 - 15 x	10 x	maximum	maximum	maximum	10 x
Bar opening	A	174.0	11.60	116.0	40.0	62.64
Line thickness	B	0.6	0.04	0.4	0.125	0.22
Bar thickness	C	4.35	0.29	2.9	1.0	1.57
Illuminated Dot (Diameter)	D	0.6	0.04	0.4	0.125	0.22
Line opening	E1	4.35	0.29	2.9	1.0	1.57
Line opening	E2	21.75	1.45	14.5	5.0	7.83
Line opening	E3	43.5	2.90	29.0	10.0	15.66
Line thickness	F	0.6	0.04	0.4	0.125	0.22
Line height	Y1	4.35	0.29	2.9	1.0	1.57
Line height	Y2	8.7	0.58	5.8	2.0	3.13
Line height	Y3	13.05	0.87	8.7	3.0	4.70
Line opening	X1	21.75	1.45	14.5	5.0	7.83
Line opening	X2	43.5	2.90	29.0	10.0	15.66
Line opening	X3	91.35	6.09	60.9	21.0	32.89

Continued on page 4



LEICA **AMPLUS 6** | RETICLE L-BALLISTIC (MoA)

Reticles and subtensions.



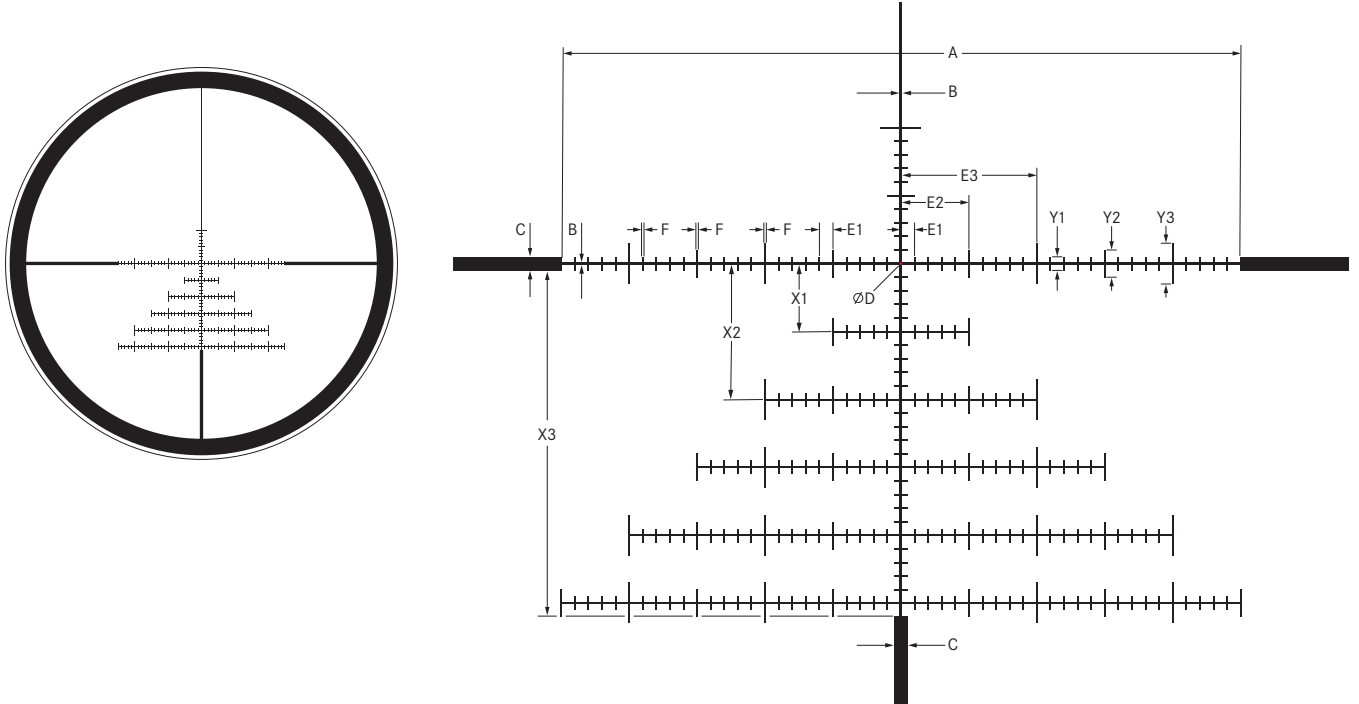
Reticle L-Ballistic (MoA)	Amplus 6	cm / 100 m	Mil	cm / 100 m	MoA	inch / 100 yds
Magnification	3-18 x	9 x	maximum	maximum	maximum	9 x
Bar opening	A	232.0	11.60	116.0	40.0	83.5
Line thickness	B	0.8	0.04	0.4	0.125	0.3
Bar thickness	C	5.8	0.29	2.9	1.0	2.1
Illuminated Dot (Diameter)	D	0.8	0.04	0.4	0.125	0.3
Line opening	E1	5.8	0.29	2.9	1.0	2.1
Line opening	E2	29.0	1.45	14.5	5.0	10.4
Line opening	E3	58.0	2.90	29.0	10.0	20.9
Line thickness	F	0.8	0.04	0.4	0.125	0.3
Line height	Y1	5.8	0.29	2.9	1.0	2.1
Line height	Y2	11.6	0.58	5.8	2.0	4.2
Line height	Y3	17.4	0.87	8.7	3.0	6.3
Line opening	X1	29.0	1.45	14.5	5.0	10.4
Line opening	X2	58.0	2.90	29.0	10.0	20.9
Line opening	X3	121.8	6.09	60.9	21.0	43.8

Continued on page 5



LEICA **AMPLUS 6** | RETICLE L-BALLISTIC (Mil)

Reticles and subtensions.



Reticle L-Ballistic Mil Magnification	Amplus 6 2.5 – 15x	cm / 100 m		Mil	cm / 100 m		MoA	inch / 100 yds	
		10x		maximal	maximal	maximal	10x		
Bar opening	A	150.0		10.0	100.0		34.48	54.00	
Line thickness	B	0.4		0.025	0.25		0.09	0.14	
Bar thickness	C	3.0		0.2	2.0		0.69	1.08	
Illuminated Dot (Diameter)	D	0.6		0.04	0.4		0.14	0.22	
Line opening	E1	3.0		0.2	2.0		0.69	1.08	
Line opening	E2	15.0		1.0	10.0		3.45	5.40	
Line opening	E3	30.0		2.0	20.0		6.90	10.80	
Line thickness	F	0.4		0.025	0.25		0.09	0.14	
Line height	Y1	3.0		0.2	2.0		0.69	1.08	
Line height	Y2	6.0		0.4	4.0		1.38	2.16	
Line height	Y3	9.0		0.6	6.0		2.07	3.24	
Line opening	X1	15.0		1.0	10.0		3.45	5.40	
Line opening	X2	30.0		2.0	20.0		6.90	10.80	
Line opening	X3	78.0		5.2	52.0		17.93	28.08	